

# BOX FOR IGNITION TRANSFORMERS

## ESA TRAF0-SERIES

### FEATURES

#### GENERAL

- Box material: thermosetting polyester glass BMC
- Coupling ESA TRAF0 frame material: steel FE37
- Working temperature: 0÷70 °C
- Protection class: IP 54
- Mounting position: any
- Connector: PG9, PG11, M16X1 and M20X1
- Collegamenti: terminal board on DIN guide

#### WITH TRANSFORMER TAR-10

- Mass: Single ESA TRAF0 2 kg
- Mass: Coupling ESA TRAF0 with ESA ESTRO 3.4 kg
- Primary voltage: 115 / 230 V
- Frequency: 50 / 60 Hz
- Secondary voltage: 1 x 8000 V
- Primary current: 2 / 1 A
- Secondary current: 20 mA
- Power consumption: 220 VA
- Intermittence every 3 minutes: 20%
- H.T. connection: self-threading
- Type of H.T. cable: silicone (external diameter 7 mm)
- Max length of H.T. cable: 1 meter (max 2 m)
- Transformer function: ignition and detection

#### WITH TRANSFORMER TAR-13

- Mass: Single ESA TRAF0 2.6 kg
- Mass: Coupling ESA TRAF0 with ESA ESTRO 4 kg
- Primary voltage: 115 / 230 V
- Frequency: 50 / 60 Hz
- Secondary voltage: 1 x 6000 V
- Primary current: 0,8 / 0,4 A
- Secondary current: 10 mA
- Power consumption: 100 VA
- Intermittence: 100 % (fixed)
- H.T. connection: self-threading
- Type of H.T. cable: silicone (external diameter 7 mm)
- Max length of H.T. cable: 1 meter (max 2 m)
- Transformer function: only ignition



F5005101



F5005102



F5005103

## DESCRIPTION

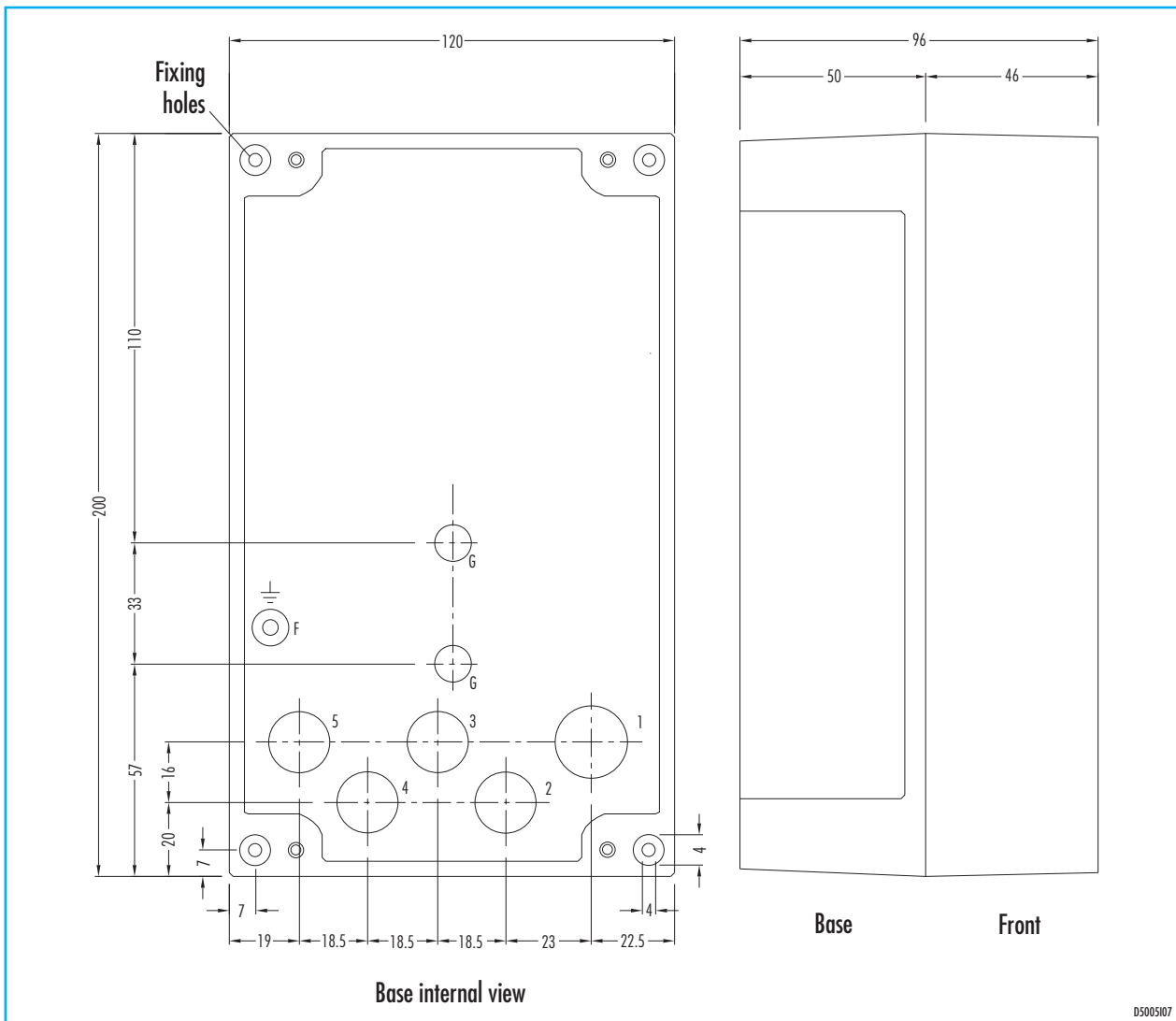
ESA TRAF0 is a box containing ignition transformer TAR series; usually is placed close to burner. It is supplied with a terminal board on DIN guide for transformer wiring; a terminal is also available for earthing. ESA TRAF0 box is equipped with 5 preformed holes for electrical wiring and it has two threaded connections for a possible

assembly with a plate or a collar for pipes diameter 1/2". It is possible to supply single junction box or coupled to flame control device ESA ESTRO by a bracket frame: this solution allows have a compact group composed by flame control and ignition device.

## INSTALLATION

- The equipment can be mounted in any positions, avoiding placing it in proximity of heat or direct irradiation sources, and in such condition as to be exposed with products of the combustion, liquid, solvents or corrosive gas.
- The equipment must be installed by skilled staff, in compliance with the regulations in force at the time and in the place of installation.
- This device is intended for permanent connection to the electric installation and should never be fitted with a reversible mains plug. Check correct connections after installation and verify that supply voltage and frequency are correct.
- In the connection between ignition transformer and probe, employ only silicone cables for high voltage use serious VS or GVR, avoiding to place them in metallic conduit or plastic conduit, even if these last doesn't create remarkable problems; ideally the cable must be left free in air. Main point is not dispose more high voltage cables coming from different ignition transformers in the same conduit.
- Respect the maximum lengths of High Voltage cables (max 2 m), even if the suggested length is 1 m.
- Detection probes and connectors (if any) must be isolated and out of reach. The casing must be adequately protected; only skilled personnel should be allowed to touch or work on it. Suitable warnings should be placed next to the probes, if necessary.
- Always connect the protection ground to the correct terminals and to any metallic frames using conductors of suitable section.
- Before carrying out any operation on ignition transformer, ensure that supply voltage are disconnected.

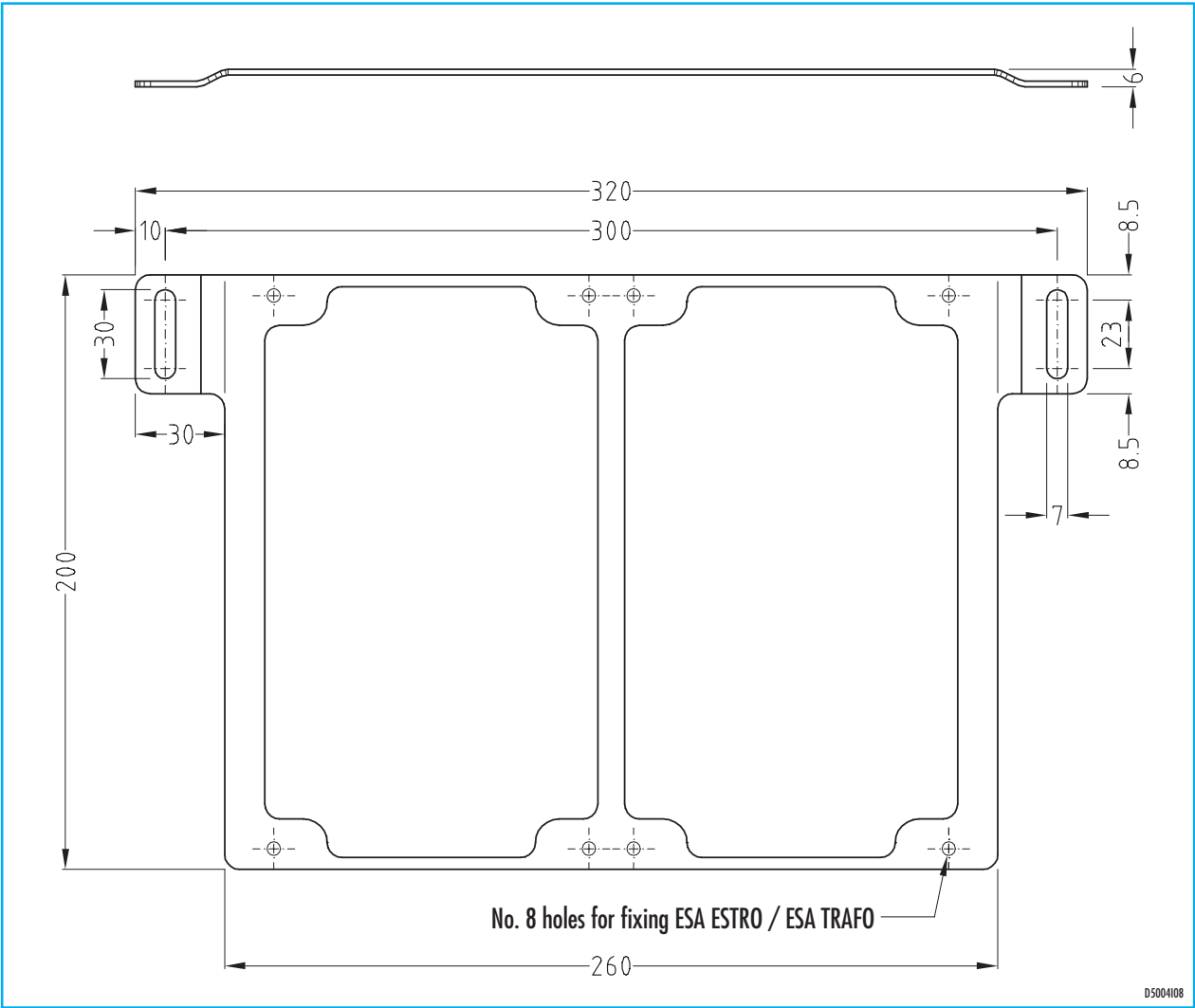
## DIMENSIONS



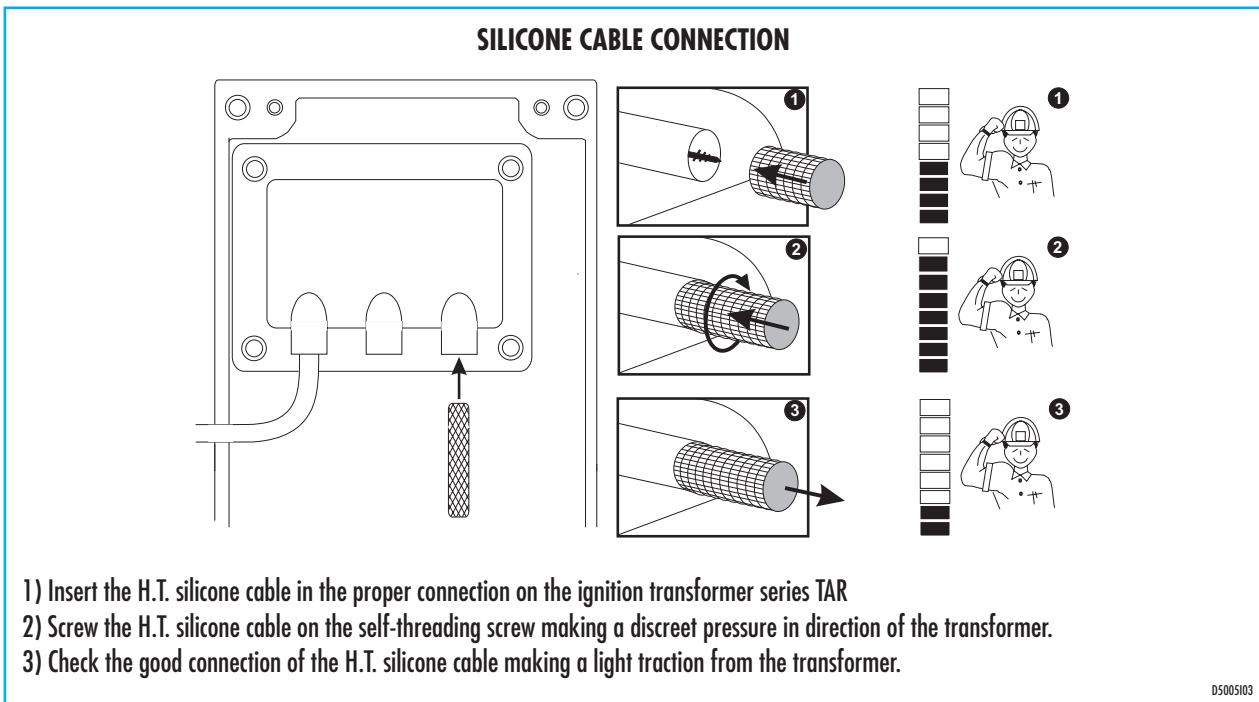
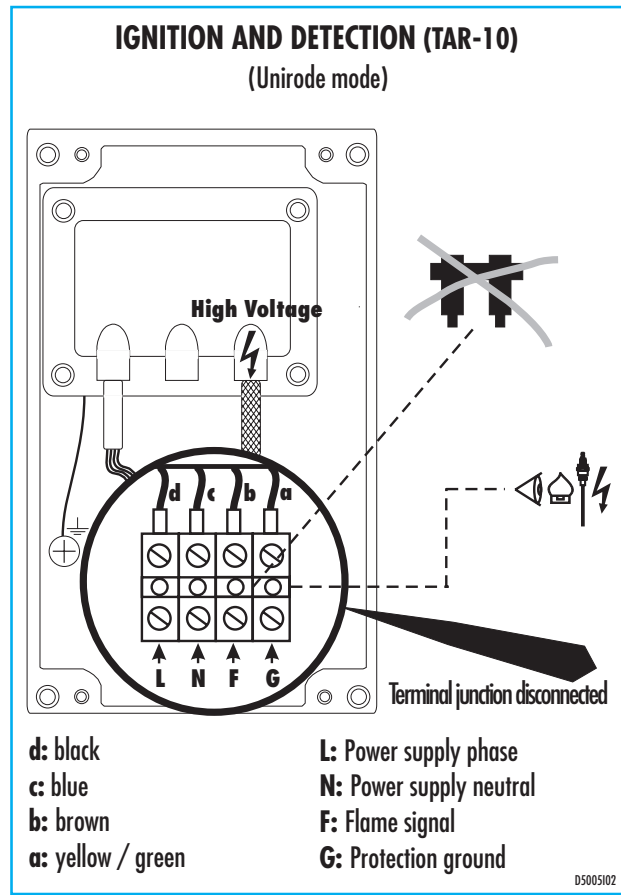
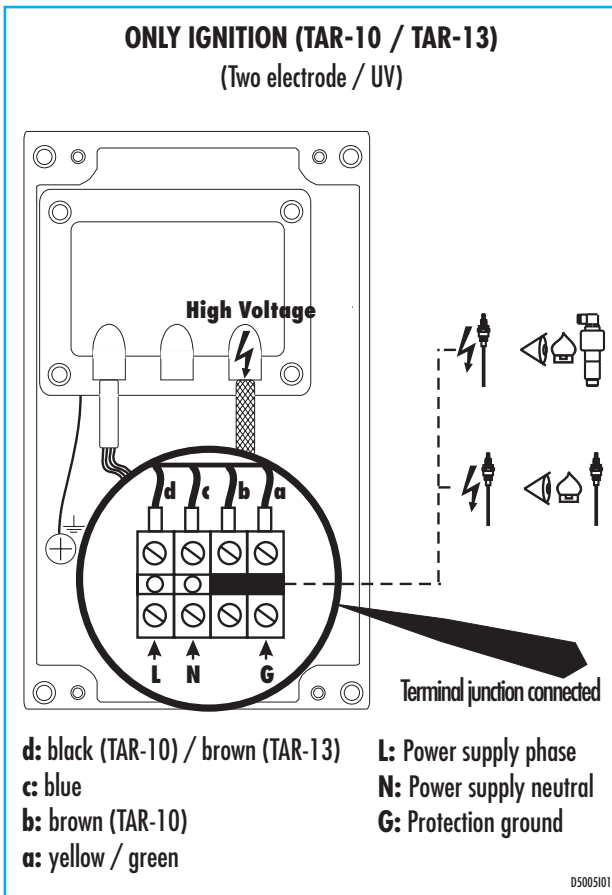
Preformed holes	Diameter mm	Connector
1	19	PG 11 - M20x1
2 - 3 - 4 - 5	16	PG 9 - M16x1

Item	Description
F	Terminal for grounding
G-G	Fixing holes for collar (pipes $\varnothing$ 1/2") - screw M6

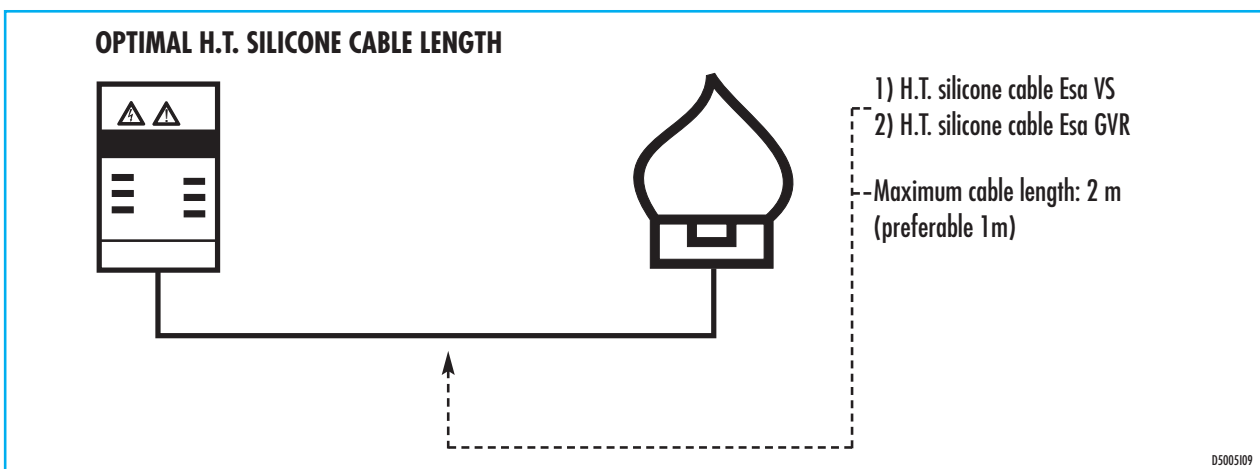
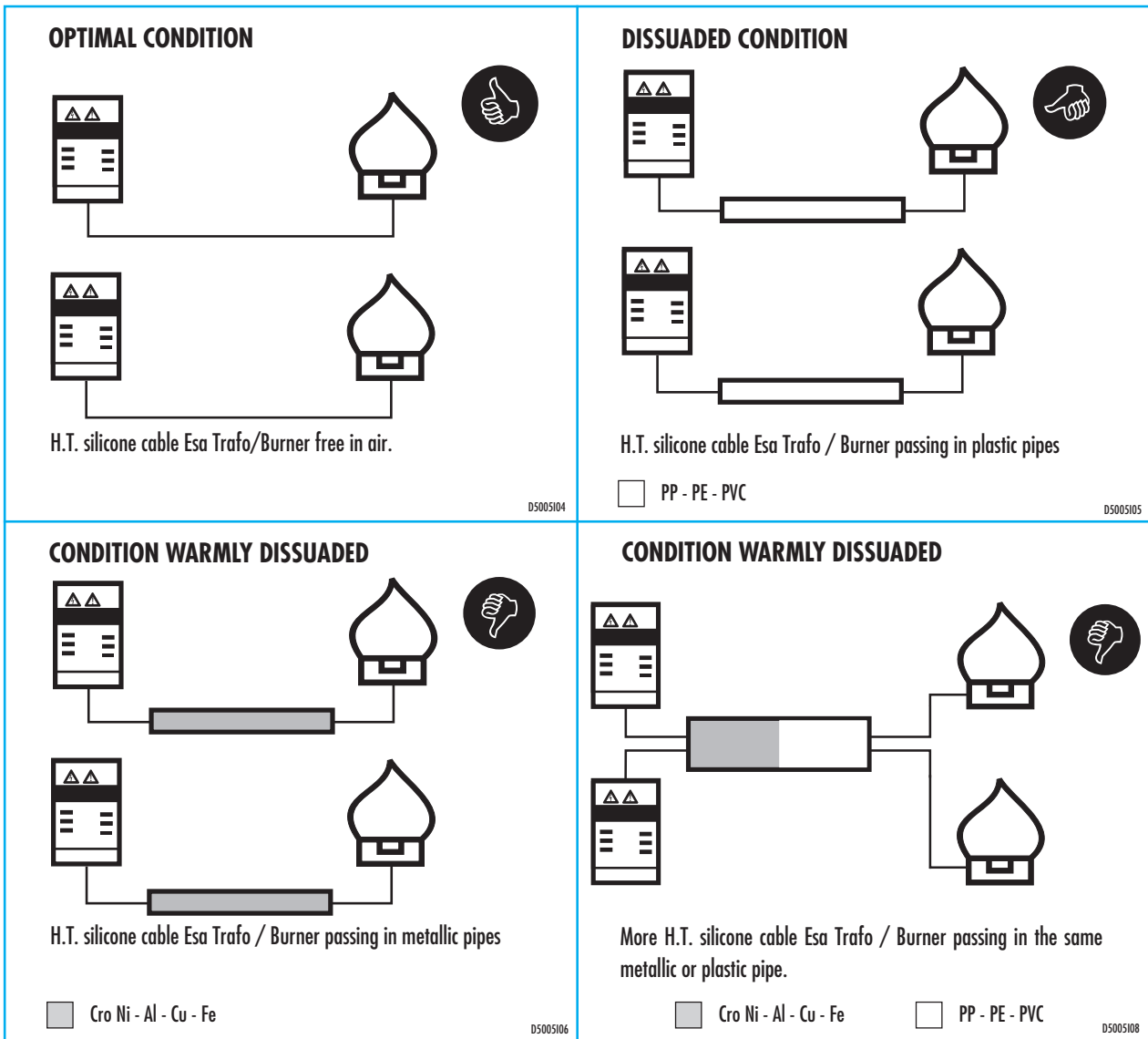
COUPLING ESA TRAF0 - FRAME DIMENSIONS



## ELECTRICAL WIRING



## SILICONE CABLE FIELD PLACEMENT



ORDERING CODE

ESA TRAF0

--	--

TRANSFORMER	
Transformer TAR-10	<b>TAR-10</b>
Transformer TAR-13	<b>TAR-13</b>

SUPPLY VOLTAGE	
115 Vac $\pm$ 10 %	<b>115</b>
230 Vac $\pm$ 10 %	<b>230</b>



NOTE: Based on the company's policy aimed at a continuous improvement on product quality, ESA-PYRONICS reserves the right to bring changes to the technical characteristics of this device without previous notice. Our catalog updated to the latest version is available on our web site [www.esapyronics.com](http://www.esapyronics.com) and it is possible to download modified documents

WARNING: Operating a combustion system can be dangerous and cause harm to persons or damage to equipment. Every burner must be provided with safety devices that monitors the combustion. The installation, adjustment and maintenance operations should only be performed by trained and qualified personnel.